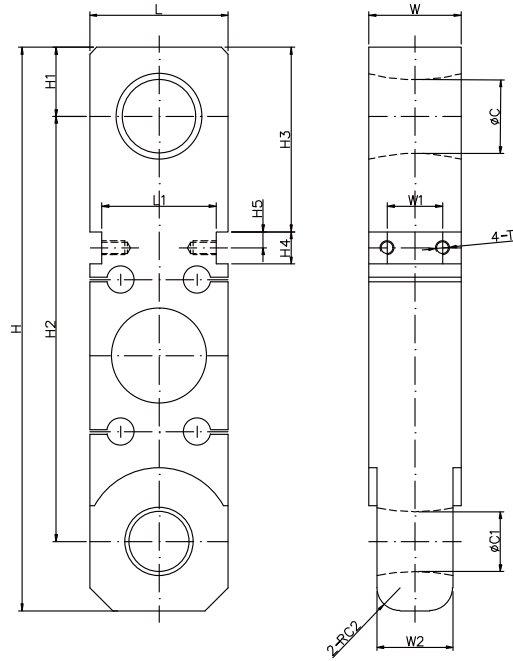
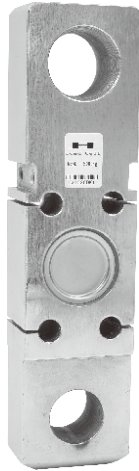


ALLOY STEEL / STAINLESS STEEL
合金钢/不锈钢



S型及拉式称重传感器

尺寸 DIMENSIONS

Rate Capacity 量程	C	C1	C2	L	L1	W	W1	W2	H	H1	H2	H3	H4	H5	T
t/mm															
3	25	20	10	60	49.5	36	24	22	233	25	183	69	14	7	M6深10
5	32	26	10	60	49.5	40	24	33	244.4	30	184.4	80	14	7	M6深10
klb/inches(conversion of above dimensions 由以上尺寸转换)															
6614	0.98	0.79	0.39	2.36	1.95	1.42	0.94	0.87	9.17	0.98	7.20	2.72	0.55	0.28	M6DP0.39
11023	1.26	1.02	0.39	2.36	1.95	1.57	0.94	1.3	9.62	1.18	7.26	3.15	0.55	0.28	M6DP0.39

技术参数 SPECIFICATIONS

Full Scale Output 灵敏度输出	2.0 ± 10% mV/V	Recommended Excitation 使用电压	10V(15V Maximmm)
Zero Balance 零点输出	± 0.02mV/V	Insulation Resistance 绝缘阻抗	>2[50V DC]GΩ
Nonlinearity 非线性	< ± 0.017%	Nominal Temperature Range 工作温度	-10°C to 40°C / 14°F to 104°F
Repeatability 重复性	< ± 0.017%		
Hysteresis Error 滞后	< ± 0.017%	Safe Overload 安全过载	150% of full scale
Creep in 30 min 30分钟蠕变	< ± 0.02%	Breaking Overload 极限过载	300% of full scale
Input Resistance 输入电阻	350Ω ± 10	IP Rating 防护等级	IP67
Outnput Resistance 输出电阻	350Ω ± 3	Cable Color Code 颜色码	Exc(输入)+:Red(红);Exc(输入) -Black(黑);Sig(输出)+Green(绿); Sig(输出)-:Whit白 Shield Bare(屏蔽)
Element Materia 材质	Alloy steel/Stainless steel 合金钢/不锈钢		

635E

Special Features 特征

- ◆ 符合OIML认证指标
- ◆ Comply with OIML C3
- ◆ IP67防护
- ◆ Protection to Ip67
- ◆ 防爆(Ex ib II CT4)
- ◆ Explosion proof version (Ex ib II Ct4)